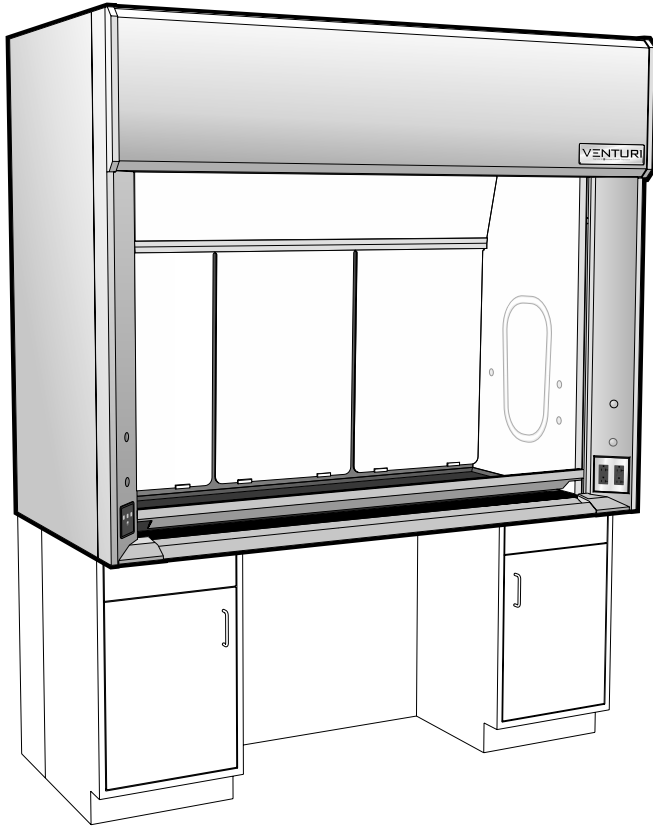


V15 – ADA Bench Fume Hood

with Vertical Rising Sash



Accessories Included:

- 2 120 VAC 20 amp GFCI* protected duplex receptacles
** when wired to a single circuit, as standard with Option U*
- 1 LED light fixture with illumination and color controller
- 1 Electromechanical sash stop with push button override

Available Sizes:

part no.
code

Sash Opening Height:	
28 inches / 711mm	28
Inside Depth:	
24 inches / 610mm	24
Overall Length:	
48 inches / 1219mm	48
60 inches / 1524mm	60
72 inches / 1829mm	72
96 inches / 2438mm	96

Available Liner Types:

part no.
code

Kemglass	G
Fiberglass reinforced polyester 1805 UL classified	
KMER	K
Kewaunee Modified Epoxy Resin	
Type 316L Stainless Steel	L
1805 UL classified	
Type 304L Stainless Steel	S
1805 UL classified	
Phenolic Resin	T

Additional Parts Required for a Complete Fume Hood Assembly

Work Top	see page 76
Cupsink	see page 78
Ceiling Enclosure	see page 79
Service Fittings	see page 80
Base Cabinets	see page 87

Available Sash Frames:

part no.
code

Frameless	N
Powder Coated Steel	M
Type 304L Stainless Steel	S

Sash Opening Height	Inside Depth	Overall Length	Liner Type	Sash Frame	Sash Glass	Fitting Holes	Electrical Fixture	Option Choices (separated by commas)
V15F	28	24			-	F2		- , , ...

Technical Information

V15

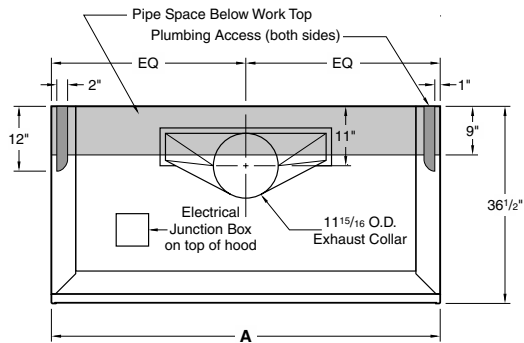
Airflow (CFM) Requirements

Face Velocity	28" High Sash Opening								18" High Sash Opening							
	4'-0" / 48"		5'-0" / 60"		6'-0" / 72"		8'-0" / 96"		4'-0" / 48"		5'-0" / 60"		6'-0" / 72"		8'-0" / 96"	
	CFM	SP	CFM	SP	CFM	SP	CFM	SP	CFM	SP	CFM	SP	CFM	SP	CFM	SP
100 FPM	790	0.40	1030	0.50	1270	0.60	1750	0.45	510	0.20	670	0.25	830	0.30	1150	0.20
80 FPM	630	0.25	820	0.35	1020	0.40	1400	0.30	410	0.15	540	0.15	670	0.20	920	0.15
60 FPM	470	0.15	620	0.20	760	0.25	1050	0.20	310	0.10	400	0.10	500	0.10	690	0.10
50 FPM	390	0.10	510	0.15	630	0.15	880	0.10	260	0.05	340	0.10	420	0.10	570	0.05

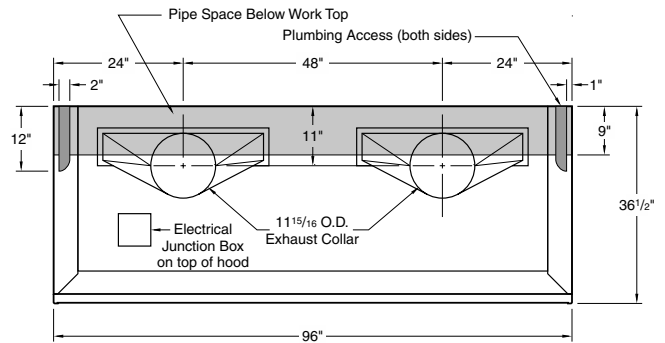
Static pressures shown are for the pressure drop through the hoods only. The total pressure drop through the hood and the duct system must be calculated to select the proper exhaust fan.

ANSI Z9.5 Minimum Flow Rate

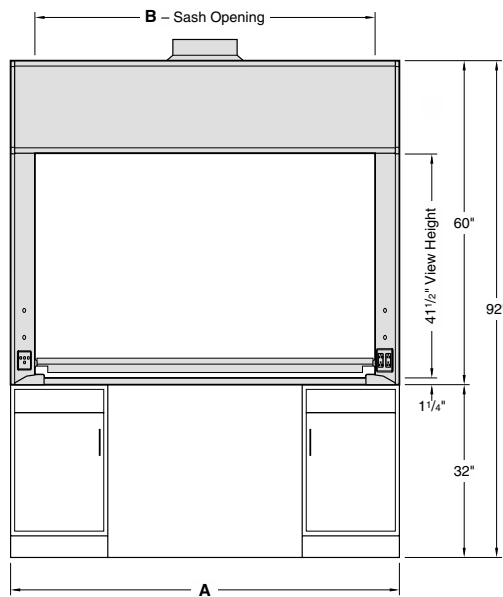
Inside Depth	150 Air Changes/Hour				375 Air Changes/Hour			
	4'-0" / 48"	5'-0" / 60"	6'-0" / 72"	8'-0" / 96"	4'-0" / 48"	5'-0" / 60"	6'-0" / 72"	8'-0" / 96"
24" deep	80 CFM	110 CFM	130 CFM	190 CFM	200 CFM	260 CFM	320 CFM	440 CFM



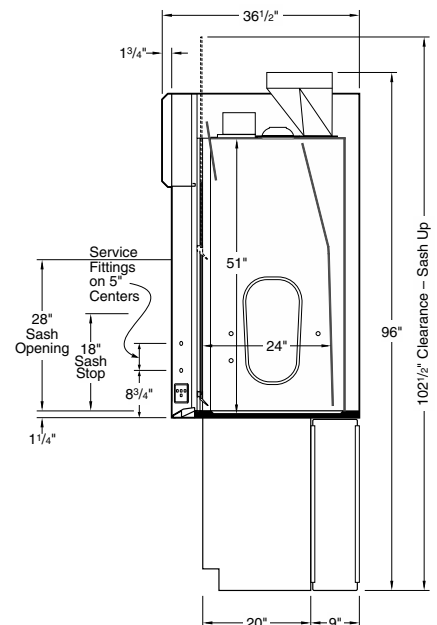
4'-5'-6" Rough-in



8' Rough-in



Elevation

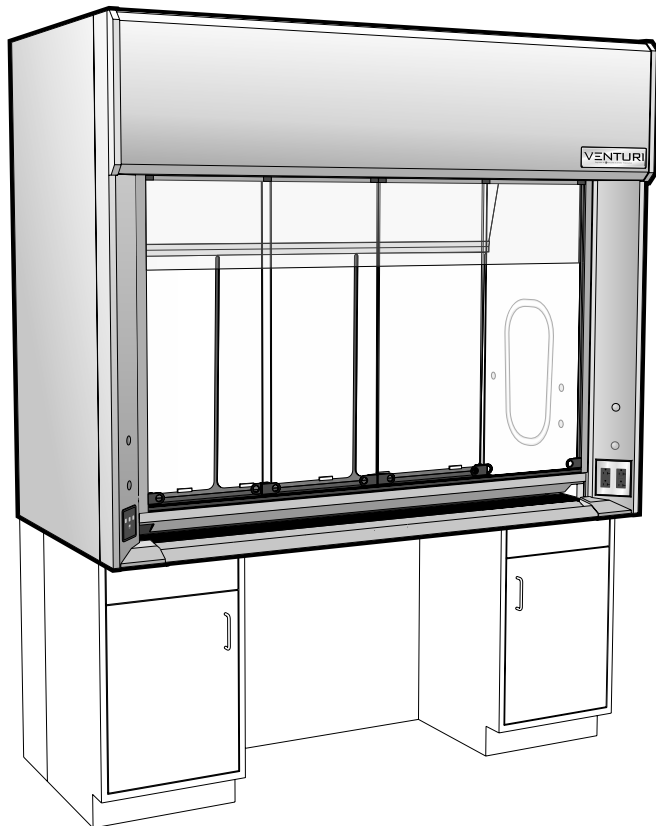


Vertical Section

Dimensions - Length				
A	48"	60"	72"	96"
B	39"	51"	63"	87"

V16 – ADA Bench Fume Hood

with Combination Vertical Rising/Horizontal Sash



Accessories Included:

- 2 120 VAC 20 amp GFCI* protected duplex receptacles
** when wired to a single circuit, as standard with Option U*
- 1 LED light fixture with illumination and color controller
- 1 Electromechanical sash stop with push button override

Available Sizes:

part no.
code

Sash Opening Height:	
28 inches / 711mm	28
Inside Depth:	
24 inches / 610mm	24
Overall Length:	
48 inches / 1219mm	48
60 inches / 1524mm	60
72 inches / 1829mm	72
96 inches / 2438mm	96

Available Liner Types:

part no.
code

Kemglass	G
Fiberglass reinforced polyester 1805 UL classified	
KMER	K
Kewaunee Modified Epoxy Resin	
Type 316L Stainless Steel	L
1805 UL classified	
Type 304L Stainless Steel	S
1805 UL classified	
Phenolic Resin	T

Additional Parts Required for a Complete Fume Hood Assembly

Work Top	see page 76
Cupsink	see page 78
Ceiling Enclosure	see page 79
Service Fittings	see page 80
Base Cabinets	see page 87

Available Sash Frames:

part no.
code

Powder Coated Steel	M
Type 304L Stainless Steel	S

Sash Opening Height	Inside Depth	Overall Length	Liner Type	Sash Frame	Sash Glass	Fitting Holes	Electrical Fixture	Option Choices (separated by commas)
V16F	28	24	<input type="checkbox"/>	<input type="checkbox"/>	-	<input type="checkbox"/>	F2	- <input type="checkbox"/> , <input type="checkbox"/> , ...

Technical Information

V16

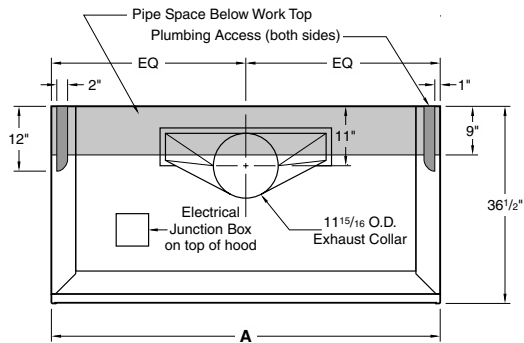
Airflow (CFM) Requirements

Face Velocity	18" High Sash Opening								Sash Closed – Panels Full Open							
	4'-0" / 48"		5'-0" / 60"		6'-0" / 72"		8'-0" / 96"		4'-0" / 48"		5'-0" / 60"		6'-0" / 72"		8'-0" / 96"	
	CFM	SP	CFM	SP	CFM	SP	CFM	SP	CFM	SP	CFM	SP	CFM	SP	CFM	SP
100 FPM	500	0.20	660	0.25	810	0.30	1120	0.20	460	0.15	600	0.20	750	0.20	1030	0.20
80 FPM	400	0.15	520	0.15	650	0.20	890	0.15	370	0.10	480	0.15	600	0.15	830	0.15
60 FPM	300	0.10	390	0.10	490	0.10	670	0.10	280	0.05	360	0.10	450	0.10	620	0.10
50 FPM	250	0.05	330	0.10	410	0.10	560	0.05	230	0.05	300	0.05	380	0.10	520	0.05

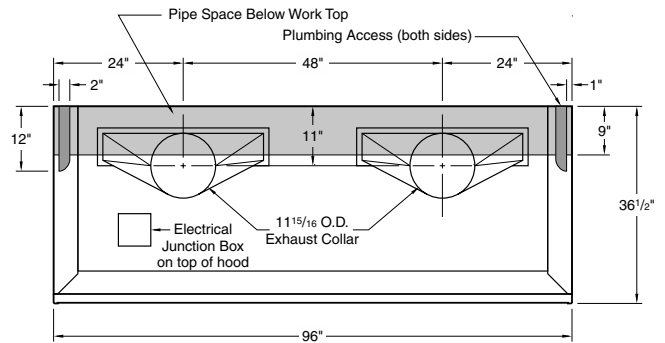
Static pressures shown are for the pressure drop through the hoods only. The total pressure drop through the hood and the duct system must be calculated to select the proper exhaust fan.

ANSI Z9.5 Minimum Flow Rate

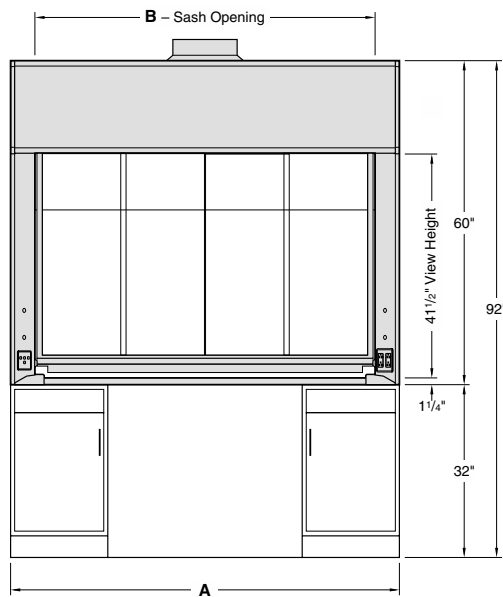
Inside Depth	150 Air Changes/Hour				375 Air Changes/Hour			
	4'-0" / 48"	5'-0" / 60"	6'-0" / 72"	8'-0" / 96"	4'-0" / 48"	5'-0" / 60"	6'-0" / 72"	8'-0" / 96"
24" deep	80 CFM	110 CFM	130 CFM	190 CFM	200 CFM	260 CFM	320 CFM	440 CFM



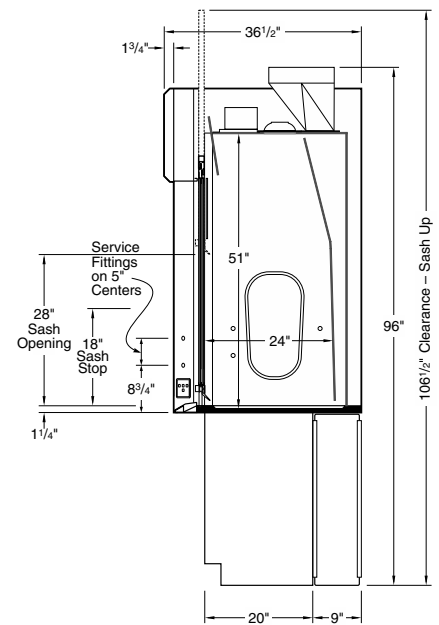
4'-5'-6" Rough-in



8' Rough-in



Elevation



Vertical Section

Dimensions – Length				
A	48"	60"	72"	96"
B	39"	51"	63"	87"