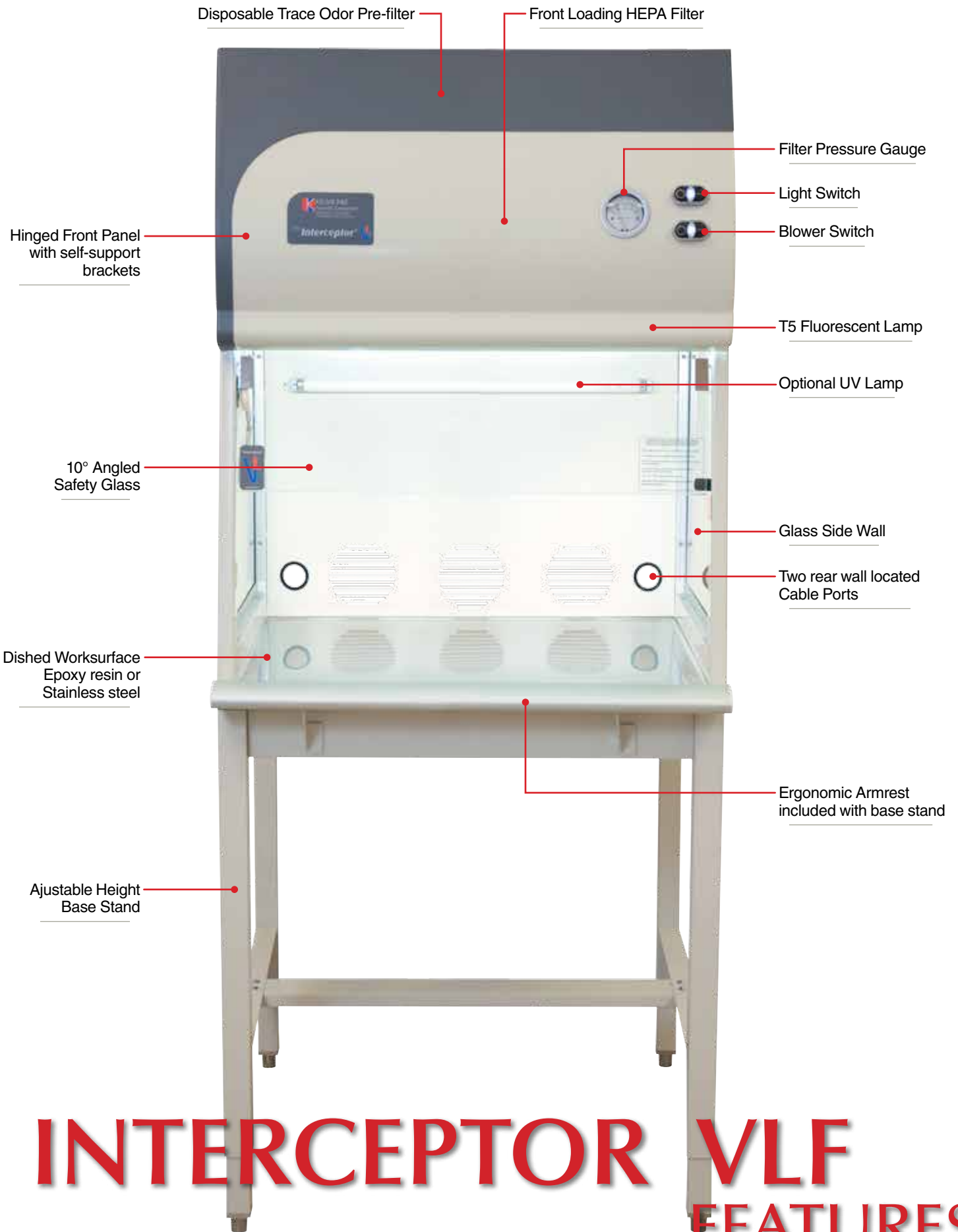


the **Interceptor**[®]
Vertical Laminar Flow Workstation



KEWAUNEE[®]

encouraging new discovery...*Worldwide*



INTERCEPTOR VLF FEATURES

Interceptor® Vertical Laminar Flow Workstation

120 VAC Superstructure – Exterior Dimensions						
Part Number	width (mm)	depth (mm)	height (mm)	dimensions in inches	Down Flow	Power Draw
INT-0600-VLF	610	724	937	24" x 28.5" x 36.875"	0.25 M/S (50 FPM)	200 W
INT-0900-VLF	914	724	937	36" x 28.5" x 36.875"	0.25 M/S (50 FPM)	300 W
INT-1200-VLF	1219	724	937	48" x 28.5" x 36.875"	0.25 M/S (50 FPM)	300 W
INT-1500-VLF	1524	724	937	60" x 28.5" x 36.875"	0.25 M/S (50 FPM)	300 W
INT-1800-VLF	1829	724	937	72" x 28.5" x 36.875"	0.25 M/S (50 FPM)	400 W

230 VAC Superstructure – Exterior Dimensions						
Part Number	width (mm)	depth (mm)	height (mm)	dimensions in inches	Down Flow	Power Draw
INT-0600-VLF-230	610	724	937	24" x 28.5" x 36.875"	0.25 M/S (50 FPM)	200 W
INT-0900-VLF-230	914	724	937	36" x 28.5" x 36.875"	0.25 M/S (50 FPM)	300 W
INT-1200-VLF-230	1219	724	937	48" x 28.5" x 36.875"	0.25 M/S (50 FPM)	300 W
INT-1500-VLF-230	1524	724	937	60" x 28.5" x 36.875"	0.25 M/S (50 FPM)	300 W
INT-1800-VLF-230	1829	724	937	72" x 28.5" x 36.875"	0.25 M/S (50 FPM)	400 W

Workstation Options

-UV Ultraviolet Germicidal Light Kit (includes fittings, lamp, and safety enclosure panel)

To select a Workstation with the ultraviolet light kit, add **-UV** to the end of the part number. **Example: INT-0600-VLF-230-UV**

Note: UV light kit must be installed in factory, it can not be field installed.

Adjustable Height Base Stand

Dimensions			
Part Number	width	depth	height
INT-BASE-0600	610mm / 24"	724mm / 28.5"	adjustable 762mm – 915mm / 30.00" – 36.00"
INT-BASE-0900	914mm / 36"	724mm / 28.5"	adjustable 762mm – 915mm / 30.00" – 36.00"
INT-BASE-1200	1219mm / 48"	724mm / 28.5"	adjustable 762mm – 915mm / 30.00" – 36.00"
INT-BASE-1500	1524mm / 60"	724mm / 28.5"	adjustable 762mm – 915mm / 30.00" – 36.00"
INT-BASE-1800	1829mm / 72"	724mm / 28.5"	adjustable 762mm – 915mm / 30.00" – 36.00"

Base Stand Options

-B10 4" High Swivel Casters with Brakes

To select a Base Stand with casters, add **-B10** to the end of the part number. **Example: INT-BASE-0600-B10**

Worksurface

Part Number	Overall Dimensions			Inside Dimensions		
	width	depth	thickness	width	depth	indent
051001-0600	616mm / 24.25"	733mm / 28.78"	32mm / 1.25"	559mm / 22.00"	651mm / 25.63"	6mm / 0.25"
051001-0900	921mm / 36.25"	733mm / 28.78"	32mm / 1.25"	864mm / 34.00"	651mm / 25.63"	6mm / 0.25"
051001-1200	1226mm / 48.25"	733mm / 28.78"	32mm / 1.25"	1168mm / 46.00"	651mm / 25.63"	6mm / 0.25"
051001-1500	1530mm / 60.25"	733mm / 28.78"	32mm / 1.25"	1473mm / 58.00"	651mm / 25.63"	6mm / 0.25"
051001-1800	1835mm / 72.25"	733mm / 28.78"	32mm / 1.25"	1778mm / 70.00"	651mm / 25.63"	6mm / 0.25"

Worksurface Options					
code	description	code	description	code	description
-BK	Black Kemresin	-SL	Slate Kemresin	-SS	Stainless Steel Type 304
-GR	Grey Kemresin	-PT	Putty Kemresin		

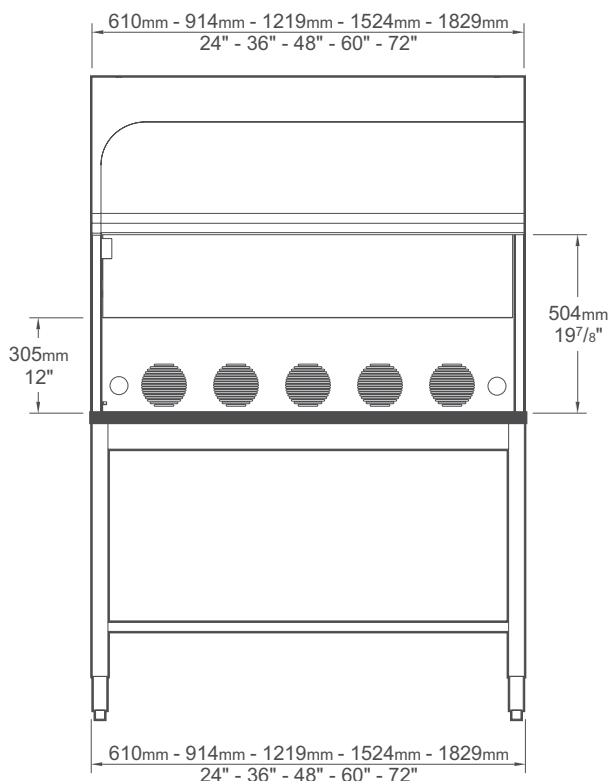
To select a Worksurface material and color, add code to the end of the part number. **Example: 051001-0600-BK**

Optional Accessories

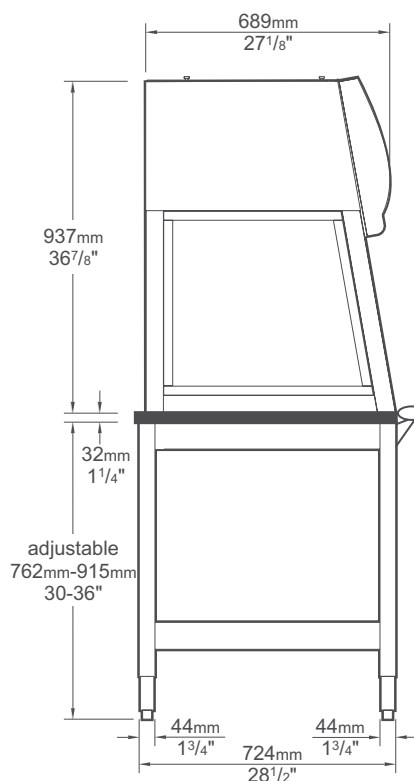
Options	Product Description
INT-FOOTREST	Adjustable Footrest - (3" to 11")
INT-IV-POLE-0600	IV Pole for 24" Workstation
INT-IV-POLE-0900	IV Pole for 36" Workstation
INT-IV-POLE-1200	IV Pole for 48" Workstation
INT-IV-POLE-1500	IV Pole for 60" Workstation
INT-IV-POLE-1800	IV Pole for 72" Workstation
INT-UV-18	18" T8 UV Germicidal Lamp (for 24" & 36" Workstations)
INT-UV-36	36" T8 UV Germicidal Lamp (for 48", 60" & 72" Workstations)

INTERCEPTOR VLF

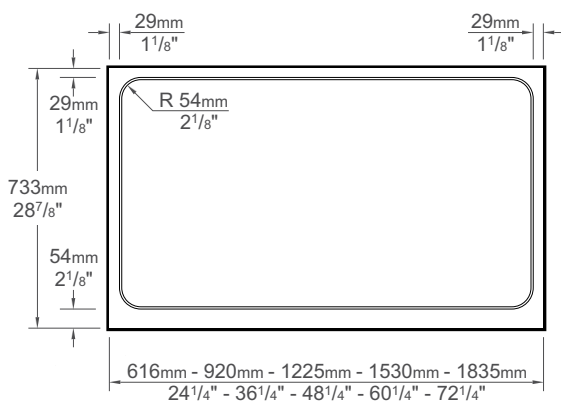
TECHNICAL INFORMATION



Front Elevation



End Elevation



Plan of Worksurface



P.O. Box 1842 • Statesville, NC 28687-1842
 Phone: (704) 873-7202 • Fax: (704) 873-5160
 E-mail: kscmarketing@kewaunee.com
 Web Site: www.kewaunee.com

Kewaunee Labway India Pvt. Ltd.
 No. CA-9A, 2nd Floor, Jigani Link Road
 Jigani, Bangalore 562 106, India
 Phone: 9180-27826725 • Fax: 9180-27826724
 Web Site: www.kewaunee.in

Kewaunee Labway Asia Pte. Ltd.
 194 Pandan Loop, #06-22
 Pantech Business Hub, Singapore 128 383
 Phone: 65-6773-0288 • Fax: 65-6773-2322

Kewaunee Scientific (Suzhou) Co Ltd
 333 Xingpu Road, Modern Industrial Square
 Building 4, Unit #2-A • Suzhou Industrial Park • China
 Phone: (0512) 6262 5090 • Fax: (0512) 6262 5089
 Web Site: china.kewaunee.com