

DetectAir II



FILTERED FUME HOODS

KEWAUNEE®

encouraging new discovery... *Worldwide*

KEWAUNEE® *DetectAir II*

Filtered Fume Hoods
powered by **AirClean® Systems**

DetectAir
AirClean Systems

FILTER SCAN

DetectAir II Filtered Fume Hoods

The next generation fume hood, inspired by tradition, designed for safety and energy savings

Kewaunee understands fume hoods! For over a century, Kewaunee has been an innovator in the design and manufacture of laboratory casework, fume hoods, and lab equipment. Now, with the introduction of DetectAir, the filtered fume hood has come of age.

DetectAir combines Kewaunee's traditional fume hood expertise with the filtering technology of AirClean Systems. DetectAir filtered fume hoods incorporate an exclusive on-board validation system which identifies chemicals as acceptable or non-acceptable, with a triple level detection system to ensure user safety ...hence the name **DetectAir**. It also features AirSafeTOUCH, an automatic touch screen control system for simple operation. With Kewaunee's new DetectAir, the questions and concerns revolving around filtered hoods and user safety have been answered. DetectAir can be used as a general purpose fume hood in a broad spectrum of applications within the modern laboratory.

Go filtered with Kewaunee

Safety:

- AirSafe TOUCH NXT Automatic Safety Controller with:
 - FilterStat validation
 - Real-time PPM filter monitoring
 - Three level gas detection
- Full baffle system for proper air flow
- Flush Sill Airfoil

Performance:

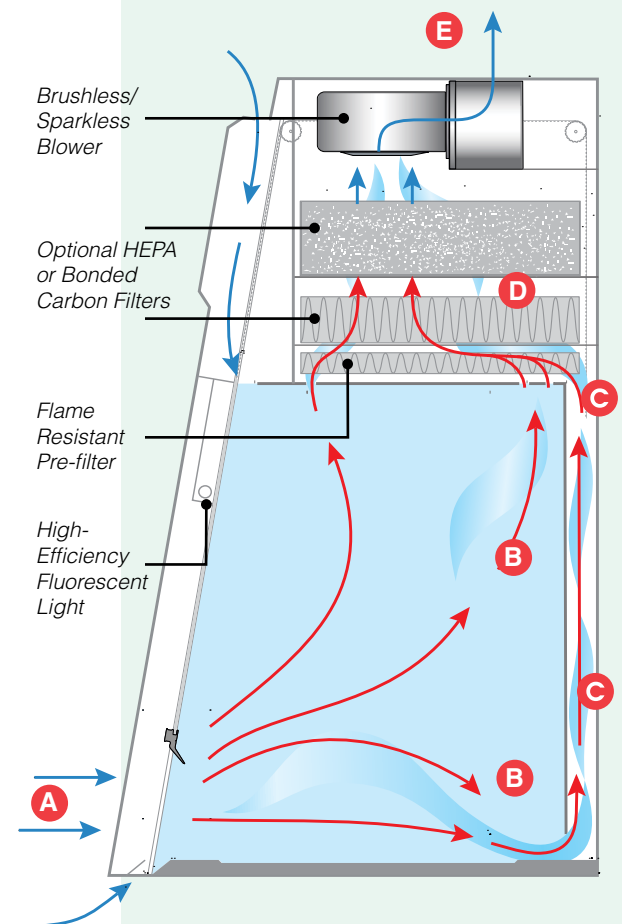
- Ductless design significantly reduces installation costs
- Energy savings
- Silconazyne bonded filters
- Commstat remote monitoring system
- Automatic airflow control system
- Push button sash operation
- ASHRAE 110 and SEFA 9 tested

Construction:

- Full view sash
- Designed to fit under nine foot ceilings
- Chemical resistant, one-piece liner, and baffle
- Removable front panel for simple filter access and replacement
- Designed, tested and manufactured in the USA
- Available in all standard Kewaunee powder coat colors

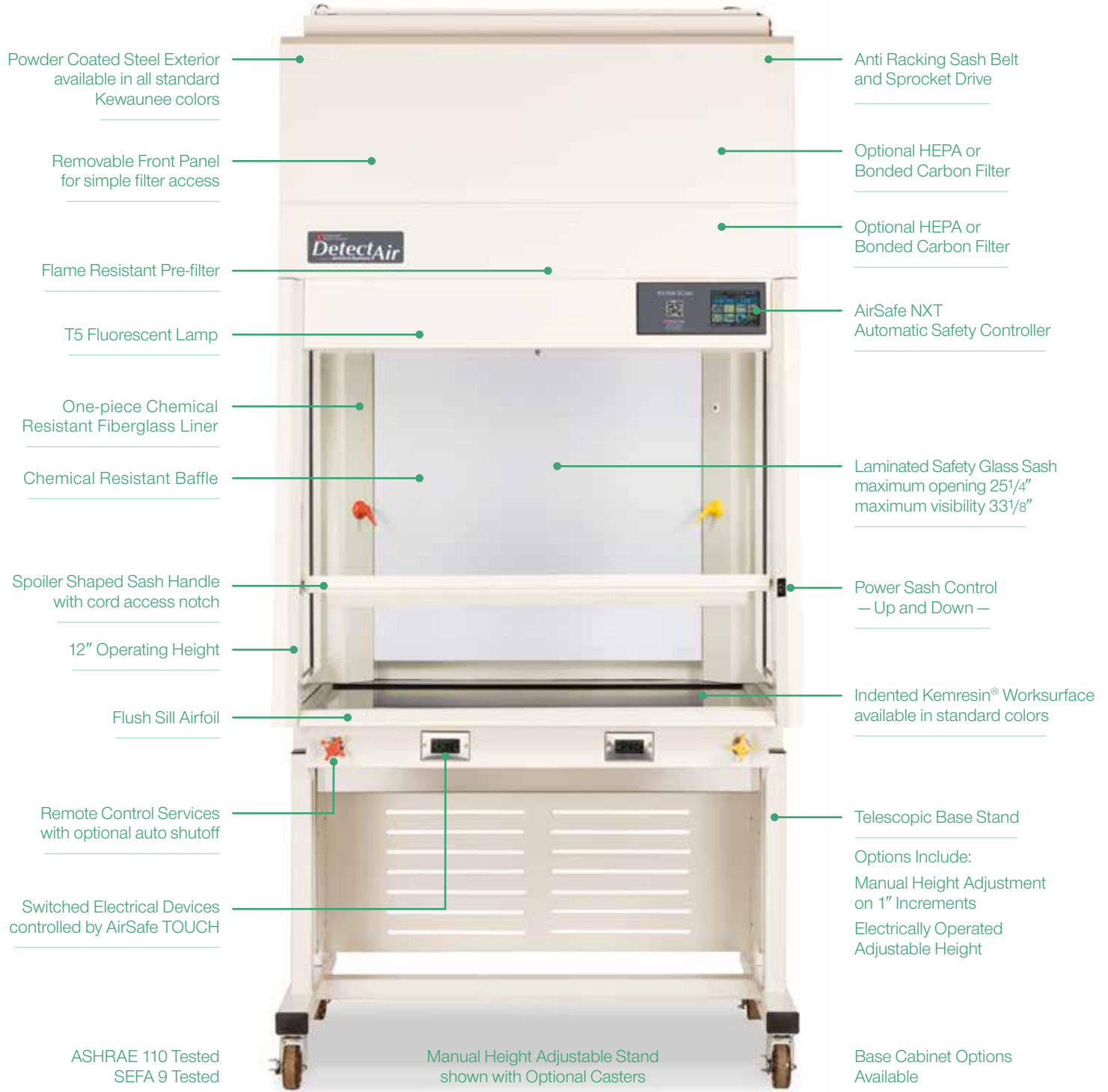
How the DetectAir filtered fume hood works:

1. Room air flows away from the operator and enters the hood in a horizontal pattern at **A**.
2. Room air mixes with both lighter and heavier gases at **B** before being drawn into the baffling at **C**.
3. Contaminated air is directed through the filtration bed at **D**.
4. Clean air is recirculated into the room at **E**.



DetectAir II

powered by **AirClean® Systems**



Standard 120 VAC — Optional 240 VAC available

AirSafe NXT

Automatic Safety Controller

AirSafe™ NXT provides touchscreen access to all critical operation and monitoring functions of the DetectAir ductless fume hood. Automatic blower control, filter monitoring, alarm notifications and energy use meter are just a few of the standard features provided by the AirSafe™ NXT automatic safety controller.

The energy use meter is standard within AirSafe™ NXT and provides the operator and laboratory manager with the hood's total operating hours and electrical consumption.

Alarms and alerts are displayed on the touch screen controller in addition to an audible alarm, notifying the user in the event of an adverse condition. The filter life meter provides visual indication of current filter status.



BLOWER - Manually start and stop blower. Operators can set blower to one of two modes: manual or automatic. Manual mode is simply a percent of blower capacity. Automatic mode maintains a desired face velocity that can be entered using the touch screen.



LIGHT - Turns fluorescent light on or off.



FILTER TYPE - Allow easy access to installed filtration package, including gas phase, particulate and pre-filtration.



ALARMS - Allows end user to set alarm points for airflow, temperature, humidity and filter saturation.



TIMER - Provides the end user ability to set the lab timer in either stopwatch or countdown mode. Also allows the user to set length of time for the countdown mode.



ENERGY CONSUMPTION METER - This icon accesses the log of energy consumption by DetectAir II. Displaying life time kilowatt hours and real time power/current/voltage.



SYSTEM DATA - Access to DetectAir II serial number, software version and hour meters for system run time, blower run time, light burn time. This icon provides an overview of all historical data (excluding energy use).



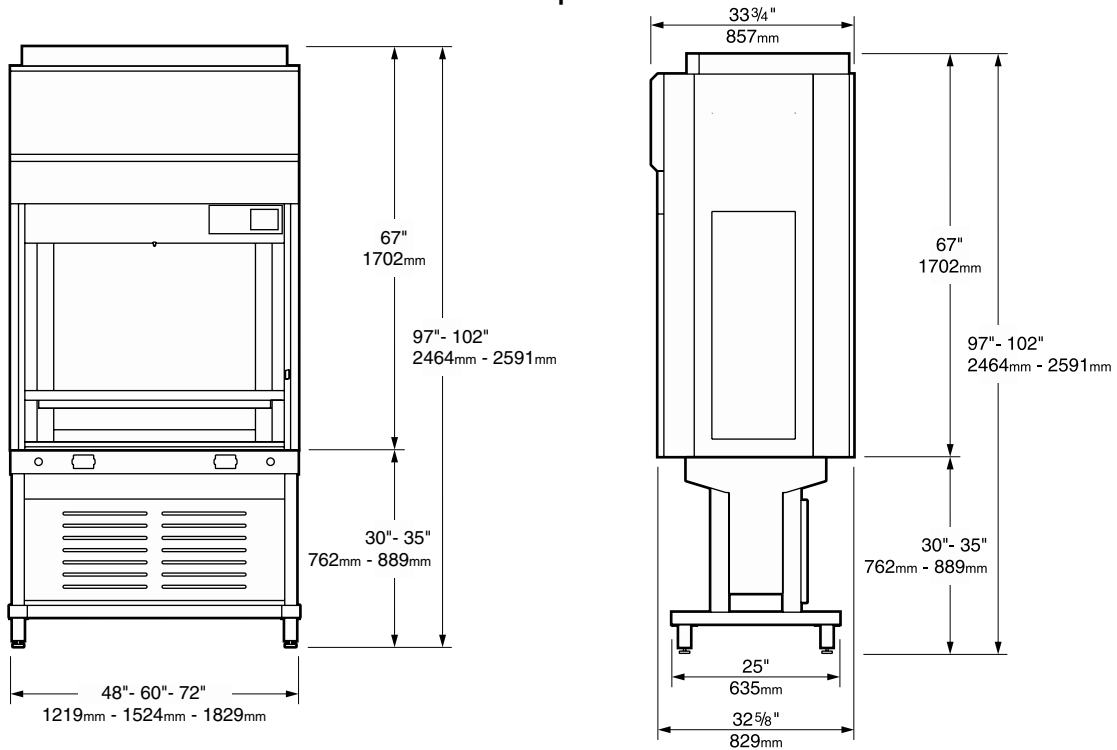
HOOD TEMPERATURE AND HUMIDITY - Display of environmental conditions for the DetectAir II ductless fume hood.



DetectAir II

TECHNICAL INFORMATION

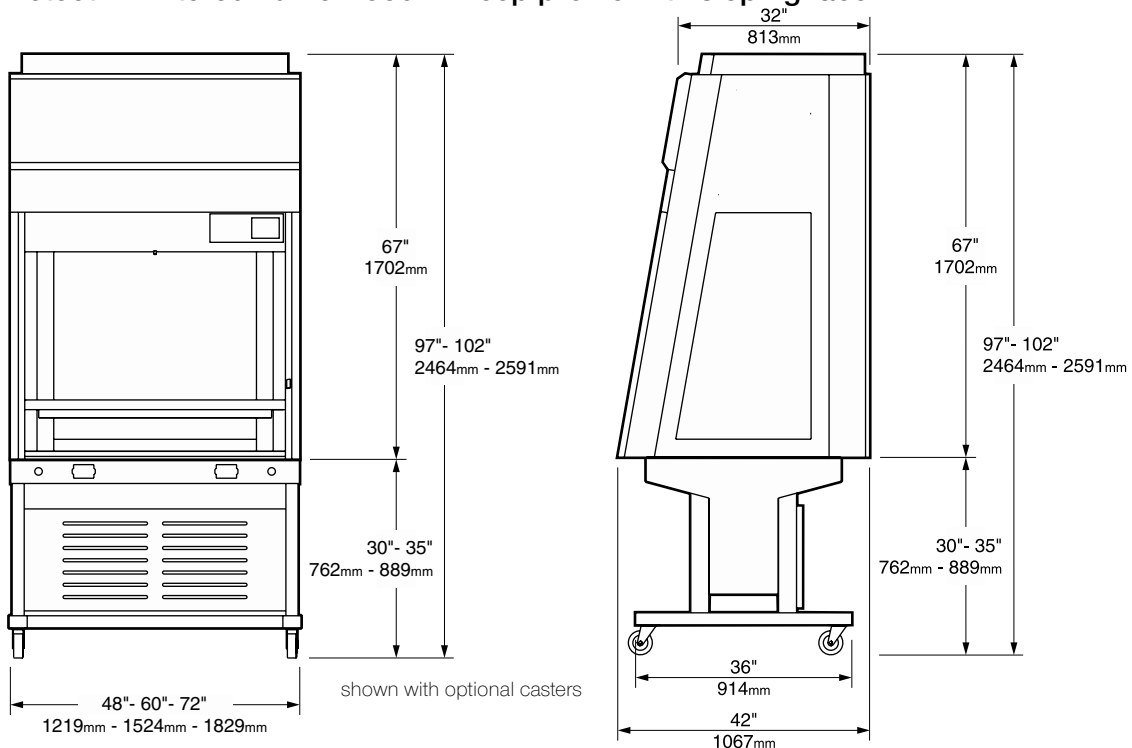
DetectAir Filtered Fume Hood – Shallow profile with vertical face



Elevation View

End View

DetectAir Filtered Fume Hood – Deep profile with sloping face



Elevation View

End View

DetectAir II Filtered Fume Hood — Shallow profile with vertical face (Filters and Work Top must be ordered separately)

Product Number	Superstructure – Exterior Dimensions				Superstructure – Interior Dimensions		
	height	depth	width	sash opening height	height	depth	width
DET20T673448-0A	67"	33 ³ / ₄ "	48"	24 ⁵ / ₈ "	40 1/8"	23 1/2"	44"
DET20T673460-0A	67"	33 ³ / ₄ "	60"	24 ⁵ / ₈ "	40 1/8"	23 1/2"	56"
DET20T673472-0A	67"	33 ³ / ₄ "	72"	24 ⁵ / ₈ "	40 1/8"	23 1/2"	68"

available in all standard Kewaunee steel colors

DetectAir Filtered Fume Hood — Deep profile with sloping face (Filters and Work Top must be ordered separately)

Product Number	Superstructure – Exterior Dimensions				Superstructure – Interior Dimensions		
	height	depth	width	sash opening height	height	depth	width
DET25T674248-0A	67"	42"	48"	25 1/4"	40 1/8"	32 ⁵ / ₈ "	44"
DET25T674260-0A	67"	42"	60"	25 1/4"	40 1/8"	32 ⁵ / ₈ "	56"
DET25T674272-0A	67"	42"	72"	25 1/4"	40 1/8"	32 ⁵ / ₈ "	68"

available in all standard Kewaunee steel colors

Kemresin Work Top

Product Number	for Shallow Profile Superstructure — DET05			for Deep Profile Superstructure — DET90		
	48" width	60" width	72" width	48" width	60" width	72" width
	051000-3448	051000-3460	051000-3472	051000-4248	051000-4260	051000-4272

includes 0491 cupsink cutout when indicated on Technical Data Sheet — available in all standard Kemresin colors

Adjustable Height Base Stand

Manual Height Adjustment				Electrical Height Adjustment			
Product Number	height	depth	width	Product Number	height	depth	width
050400-3448	30" - 35"	25"	48"	050400-3448-E	30" - 35"	25"	48"
050400-3460	30" - 35"	25"	60"	050400-3460-E	30" - 35"	25"	60"
050400-3472	30" - 35"	25"	72"	050400-3472-E	30" - 35"	25"	72"
050400-4248	30" - 35"	36"	48"	050400-4248-E	30" - 35"	36"	48"
050400-4260	30" - 35"	36"	60"	050400-4260-E	30" - 35"	36"	60"
050400-4272	30" - 35"	36"	72"	050400-4272-E	30" - 35"	36"	72"
Caster Option	add -B to end of product number to add casters to base stand Example: 050400-4248- B						

available in all standard Kewaunee colors

Filters (contact your Kewaunee sales representative for filter options)

Service Options	Product Description	Service Options	Product Description
W-0744-A	Air service valve and hose bib outlet	W-0744-G	Gas service valve and hose bib outlet
W-0744-V	Vacuum service valve and hose bib outlet	W-0744-W	Water service valve and hose bib outlet
0491-BP	Black Polyethylene Oval Cupsink	0656-1V	120 VAC, GFI, 20 amp receptacle w/face plate

all service options ship loose

Kewaunee Scientific Corporation is dedicated to manufacturing high quality products for the laboratory marketplace.

We offer **Total Laboratory Solutions, Innovative Designs, and Technological Expertise** with a worldwide distribution network to provide laboratories that are truly World Class.

Laboratory Products from Kewaunee:

ALPHA – Adaptable Casework System

ALPHA Columns – Expandable Workstations

ALPHA – Overhead Carrier Systems

DetectAir – Filtered Fume Hoods

EarthLine – Environmentally Friendly Casework

Enterprise – Moveable Workstations

Interceptor – Biological Safety Cabinet

Interceptor – Laminar Flow Cabinet

Kemresin – Epoxy Resin Counters & Sinks

Kewaunee Matrix – Educational Stations

Research Collection – Steel Casework

Signature Series – Wood Casework

Supreme Air – Fume Hoods

For our complete product offering, specifications, catalogs, brochures, case studies, and dealer list, go to www.kewaunee.com, or contact your local sales representative directly.



The mark of responsible forestry



P.O. Box 1842 • Statesville, NC 28687-1842
Phone: (704) 873-7202 • Fax: (704) 873-5160
E-mail: kscmarketing@kewaunee.com
Web Site: www.kewaunee.com

Kewaunee Labway India Pvt. Ltd.

No. CA-9A, 2nd Floor, Jigani Link Road
Jigani, Bangalore 562 106, India
Phone: 9180-27826725 • Fax: 9180-27826724
Web Site: www.kewaunee.in

Kewaunee Labway Asia Pte. Ltd.

194 Pandan Loop, #06-22
Pantech Business Hub, Singapore 128 383
Phone: 65-6773-0288 • Fax: 65-6773-2322