

DetectAir



FILTERED FUME HOODS

KEWAUNEE®

encouraging new discovery... *Worldwide*

KEWAUNEE® *DetectAir*

Filtered Fume Hoods
powered by **AirClean® Systems**

DetectAir
AirClean Systems

FILTER SCAN

DetectAir Filtered Fume Hoods

The next generation fume hood, inspired by tradition, designed for safety and energy savings

Kewaunee understands fume hoods! For over a century, Kewaunee has been an innovator in the design and manufacture of laboratory casework, fume hoods, and lab equipment. Now, with the introduction of DetectAir, the filtered fume hood has come of age.

DetectAir combines Kewaunee's traditional fume hood expertise with the filtering technology of AirClean Systems. DetectAir filtered fume hoods incorporate an exclusive on-board validation system which identifies chemicals as acceptable or non-acceptable, with a triple level detection system to ensure user safety ...hence the name **DetectAir**. It also features AirSafeTOUCH, an automatic touch screen control system for simple operation. With Kewaunee's new DetectAir, the questions and concerns revolving around filtered hoods and user safety have been answered. DetectAir can be used as a general purpose fume hood in a broad spectrum of applications within the modern laboratory.

Go filtered with Kewaunee

Safety:

- AirSafe TOUCH Automatic Safety Controller with:
 - FilterStat validation
 - Real-time PPM filter monitoring
 - Three level gas detection
- Full baffle system for proper air flow
- Flush Sill Airfoil

Performance:

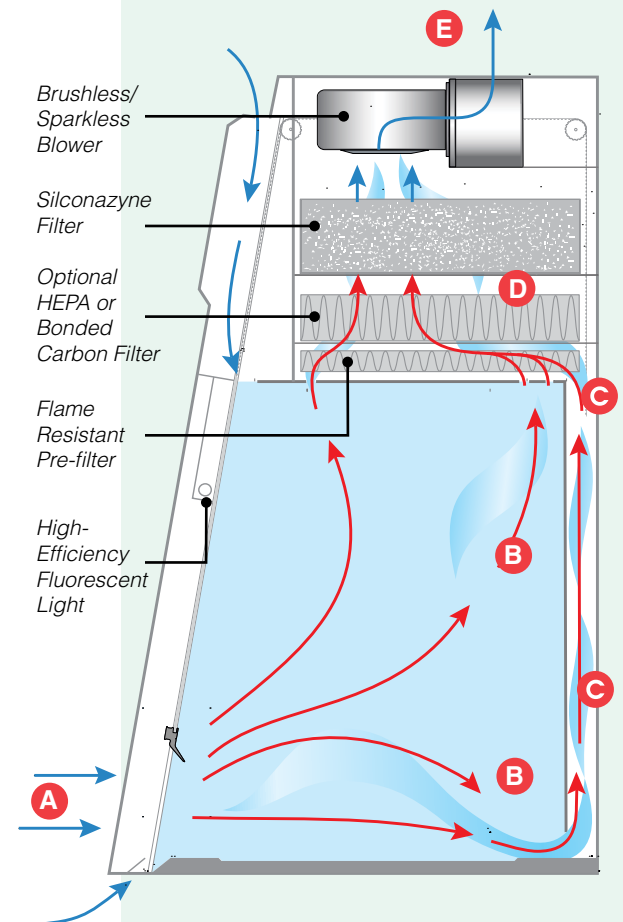
- Ductless design significantly reduces installation costs
- Energy savings
- Silconazyne bonded filters
- Commstat remote monitoring system
- Automatic airflow control system
- Push button sash operation
- ASHRAE 110 and SEFA 9 tested

Construction:

- Full view sash
- Designed to fit under nine foot ceilings
- Chemical resistant, one-piece liner, and baffle
- Removable front panel for simple filter access and replacement
- Designed, tested and manufactured in the USA
- Available in all standard Kewaunee powder coat colors

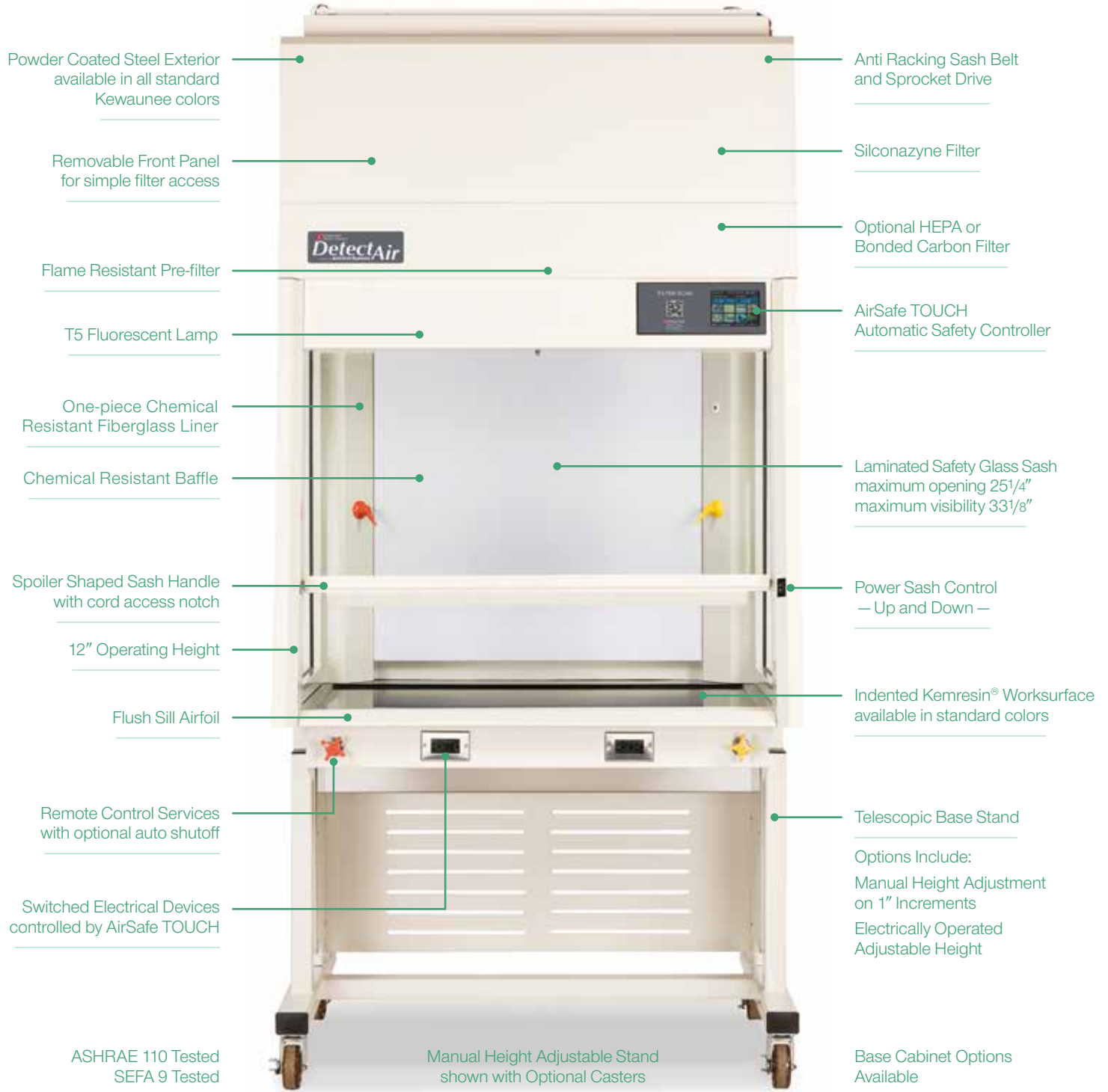
How the DetectAir filtered fume hood works:

1. Room air flows away from the operator and enters the hood in a horizontal pattern at **A**.
2. Room air mixes with both lighter and heavier gases at **B** before being drawn into the baffling at **C**.
3. Contaminated air is directed through the filtration bed at **D**.
4. Clean air is recirculated into the room at **E**.



DetectAir

powered by **AirClean® Systems**



Standard 120 VAC — Optional 240 VAC available

AirSafe TOUCH Automatic Safety Controller

The easiest to use, yet most advanced, fume hood controller available

AirSafe TOUCH, a color LCD touch-screen controller, incorporates two main control screens featuring 18 different “Quick Keys” for one-touch access to all primary control and monitoring functions. The main screen also displays the current Interfilter gas detection level and airflow face velocity in real-time. Blower, burning gas, and electrical outlet status are constantly displayed in the top status bar along with the logged-in user.

Thousands of times per second, AirSafe TOUCH simultaneously monitors and controls over 900 data points linked to the system’s mechanical controls, sensor package, and alarms.



FilterStat Validation Systems

Real-time application validation at your fingertips

With any filtered fume hood, filtered air is recirculated into the laboratory, making it imperative that only filtration-approved chemicals are manipulated inside the hood. DetectAir filtered fume hoods feature FilterStat, the first integrated platform for storing, analyzing, approving, and monitoring chemicals for use with a particular filter or combination of filters. To achieve this real-time analysis, FilterStat utilizes an onboard chemical reference library of over 1,000 chemicals approved for use within DetectAir.



TriAnalyze 3x3 Multi-Method Gas Detection

The new standard for filtered fume hood filtration monitoring

In conjunction with the onboard chemical library and chosen chemical application, the TriAnalyze 3x3 gas detection system utilizes three advanced chemical sensors linked to three gas sample locations to provide a complete, real-time application exposure assessment. The Photo Ionization Detector (PID) gas analyzer component of TriAnalyze 3x3 provides the first “absolute zero” reference measurement method and real-time PPM display found in a filtered fume hood. Gas detection alarm values are auto-set based on Threshold Limit Value (TLV) information embedded in the chemical library.

Silconazyne Bonded Filtration

Higher adsorption capacity for a wider range of chemicals

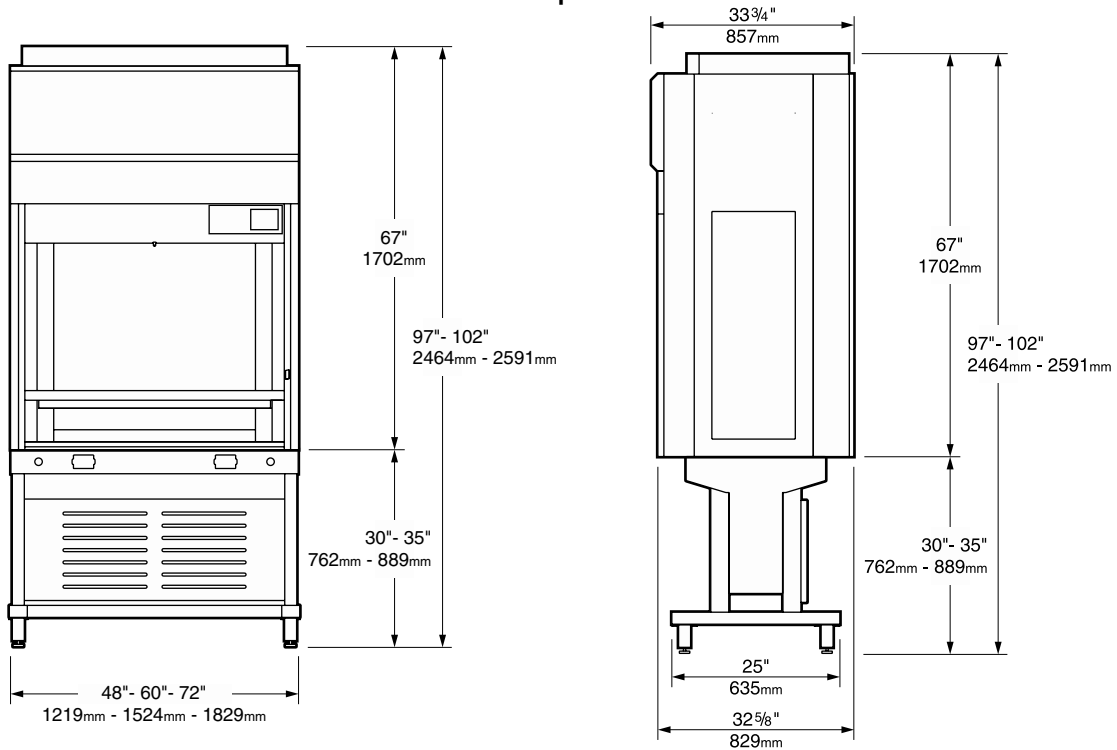
At the heart of the DetectAir filtered fume hood is Silconazyne, a revolutionary new bonded gas phase filtration system. Silconazyne is a chemically and thermally enhanced filtration technology improving upon centuries-old carbon filtration by increasing the adsorption capability on a wider spectrum of commonly manipulated laboratory chemicals. Silconazyne filters can be used with 99% of all chemicals found in the FilterStat integral chemical reference library.



DetectAir

TECHNICAL INFORMATION

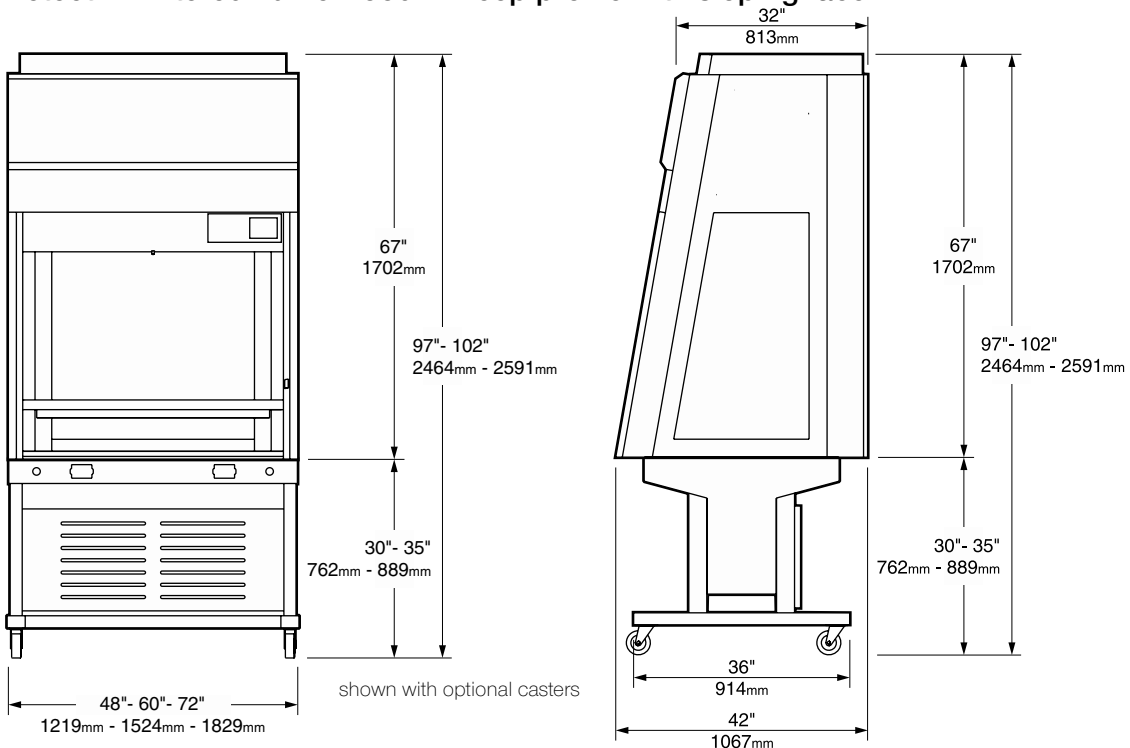
DetectAir Filtered Fume Hood – Shallow profile with vertical face



Elevation View

End View

DetectAir Filtered Fume Hood – Deep profile with sloping face



Elevation View

End View

shown with optional casters

DetectAir Filtered Fume Hood — Shallow profile with vertical face (includes 1 set of Silconazyme Filters)

Product Number	Superstructure – Exterior Dimensions				Superstructure – Interior Dimensions		
	height	depth	width	sash opening height	height	depth	width
DET05T673448-0A	67"	33 ³ / ₄ "	48"	24 ⁵ / ₈ "	40 1/ ₈ "	23 1/ ₂ "	44"
DET05T673460-0A	67"	33 ³ / ₄ "	60"	24 ⁵ / ₈ "	40 1/ ₈ "	23 1/ ₂ "	56"
DET05T673472-0A	67"	33 ³ / ₄ "	72"	24 ⁵ / ₈ "	40 1/ ₈ "	23 1/ ₂ "	68"

available in all standard Kewaunee steel colors

DetectAir Filtered Fume Hood — Deep profile with sloping face (includes 1 set of Silconazyme Filters)

Product Number	Superstructure – Exterior Dimensions				Superstructure – Interior Dimensions		
	height	depth	width	sash opening height	height	depth	width
DET90T674248-0A	67"	42"	48"	25 1/ ₄ "	40 1/ ₈ "	32 ⁵ / ₈ "	44"
DET90T674260-0A	67"	42"	60"	25 1/ ₄ "	40 1/ ₈ "	32 ⁵ / ₈ "	56"
DET90T674272-0A	67"	42"	72"	25 1/ ₄ "	40 1/ ₈ "	32 ⁵ / ₈ "	68"

available in all standard Kewaunee steel colors

Kemresin Work Top

Product Number	for Shallow Profile Superstructure — DET05			for Deep Profile Superstructure — DET90		
	48" width	60" width	72" width	48" width	60" width	72" width
051000-3448	051000-3460	051000-3472	051000-4248	051000-4260	051000-4272	

includes 0491 cupsink cutout when indicated on Technical Data Sheet — available in all standard Kemresin colors

Adjustable Height Base Stand

Manual Height Adjustment				Electrical Height Adjustment			
Product Number	height	depth	width	Product Number	height	depth	width
050400-3448	30" - 35"	25"	48"	050400-3448-E	30" - 35"	25"	48"
050400-3460	30" - 35"	25"	60"	050400-3460-E	30" - 35"	25"	60"
050400-3472	30" - 35"	25"	72"	050400-3472-E	30" - 35"	25"	72"
050400-4248	30" - 35"	36"	48"	050400-4248-E	30" - 35"	36"	48"
050400-4260	30" - 35"	36"	60"	050400-4260-E	30" - 35"	36"	60"
050400-4272	30" - 35"	36"	72"	050400-4272-E	30" - 35"	36"	72"
Caster Option	add -B to end of product number to add casters to base stand Example: 050400-4248- B						

available in all standard Kewaunee colors

Filters (order HEPA filters if required — 1 set of Silconazyme Filters are included with DetectAir Fume Hood)

Optional HEPA Filters	HEPA Filter Package Description	Replacement Silconazyme Filters	Silconazyme Filter Package Description
KACFHEPA-3	4 ft & 5 ft Hood Filter Package (3 filters)	KACFSCI-3	4 ft & 5 ft Hood Filter Package (3 filters)
KACFHEPA-4	6 ft Hood Filter Package (4 filters)	KACFSCI-4	6 ft Hood Filter Package (4 filters)
KACFHEPA	Single Filter (1 filter)	KACFSCI	Single Filter (1 filter)

Service Options	Product Description	Service Options	Product Description
W-0744-A	Air service valve and hose bib outlet	W-0744-G	Gas service valve and hose bib outlet
W-0744-V	Vacuum service valve and hose bib outlet	W-0744-W	Water service valve and hose bib outlet
0491-BP	Black Polyethylene Oval Cupsink	0656-1V	120 VAC, GFI, 20 amp receptacle w/face plate

all service options ship loose

Kewaunee Scientific Corporation is dedicated to manufacturing high quality products for the laboratory marketplace.

We offer **Total Laboratory Solutions, Innovative Designs, and Technological Expertise** with a worldwide distribution network to provide laboratories that are truly World Class.

Laboratory Products from Kewaunee:

ALPHA – Adaptable Casework System

ALPHA Columns – Expandable Workstations

ALPHA – Overhead Carrier Systems

DetectAir – Filtered Fume Hoods

EarthLine – Environmentally Friendly Casework

Enterprise – Moveable Workstations

Interceptor – Biological Safety Cabinet

Interceptor – Laminar Flow Cabinet

Kemresin – Epoxy Resin Counters & Sinks

Kewaunee Matrix – Educational Stations

Research Collection – Steel Casework

Signature Series – Wood Casework

Supreme Air – Fume Hoods

For our complete product offering, specifications, catalogs, brochures, case studies, and dealer list, go to www.kewaunee.com, or contact your local sales representative directly.



The mark of responsible forestry



P.O. Box 1842 • Statesville, NC 28687-1842
Phone: (704) 873-7202 • Fax: (704) 873-5160
E-mail: kscmarketing@kewaunee.com
Web Site: www.kewaunee.com

Kewaunee Labway India Pvt. Ltd.

No. CA-9A, 2nd Floor, Jigani Link Road
Jigani, Bangalore 562 106, India
Phone: 9180-27826725 • Fax: 9180-27826724
Web Site: www.kewaunee.in

Kewaunee Labway Asia Pte. Ltd.

194 Pandan Loop, #06-22
Pantech Business Hub, Singapore 128 383
Phone: 65-6773-0288 • Fax: 65-6773-2322