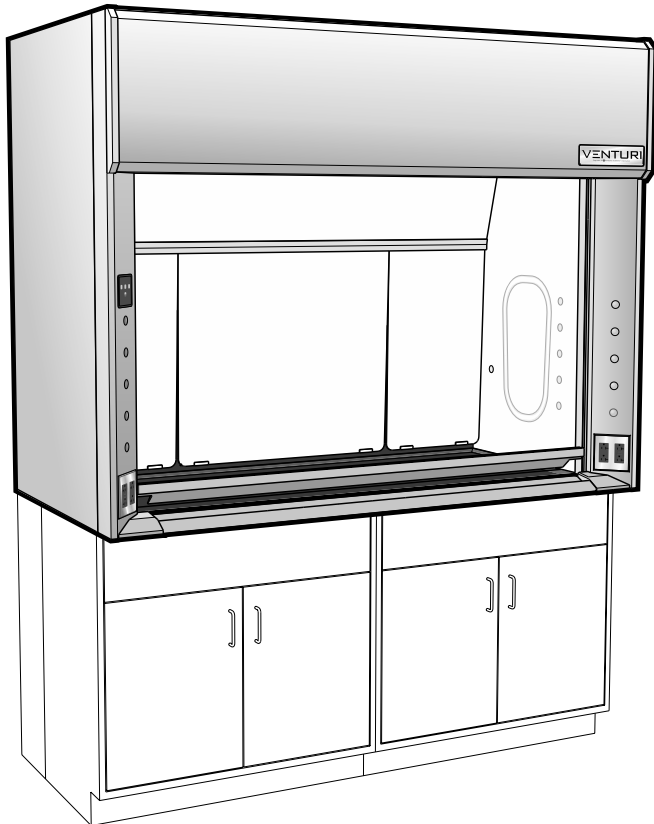


V05 – General Purpose Bench Fume Hood

with Vertical Rising Sash



Accessories Included:

- 4 120 VAC 20 amp GFCI protected duplex receptacles
- 1 LED light fixture with illumination and color controller
- 1 Electronic sash stop with push button override

Available Sizes:

part no.
code

Sash Opening Height:	
28 inches / 711mm	28
Inside Depth:	
24 inches / 610mm	24
30 inches / 762mm	30
36 inches / 914mm	36
Overall Length:	
48 inches / 1219mm	48
60 inches / 1524mm	60
72 inches / 1829mm	72
96 inches / 2438mm	96

Available Liner Types:

part no.
code

Kemglass	G
Fiberglass reinforced polyester	
KMER	K
Kewaunee Modified Epoxy Resin	
Type 316L Stainless Steel	L
Type 304L Stainless Steel	S
Phenolic Resin	T

Additional Parts Required for a Complete Fume Hood Assembly

Work Top	see page 28
Cupsink	see page 30
Ceiling Enclosure	see page 31
Service Fittings	see page 32
Base Cabinets	see page 36

Available Sash Frames:

part no.
code

Frameless	N
Powder Coated Steel	M
Type 304L Stainless Steel	S

Sash Opening Height	Inside Depth	Overall Length	Liner Type	Sash Frame	Sash Glass	Fitting Holes	Electrical Fixture	Option Choices (separated by commas)
V05F28	<input type="text"/>	<input type="text"/>	<input type="text"/>	<input type="text"/>	- <input type="text"/>	, <input type="text"/>	, <input type="text"/>	- <input type="text"/>
								, <input type="text"/>
								, ...

Technical Information

V05

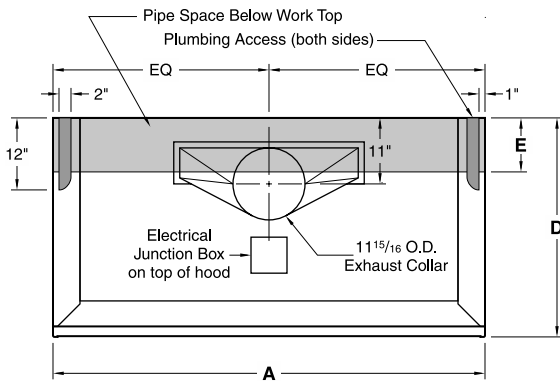
Airflow (CFM) Requirements

Face Velocity	28" High Sash Opening								18" High Sash Opening							
	4'-0" / 48"		5'-0" / 60"		6'-0" / 72"		8'-0" / 96"		4'-0" / 48"		5'-0" / 60"		6'-0" / 72"		8'-0" / 96"	
	CFM	SP	CFM	SP	CFM	SP	CFM	SP	CFM	SP	CFM	SP	CFM	SP	CFM	SP
100 FPM	790	0.40	1030	0.50	1270	0.60	1750	0.45	510	0.20	670	0.25	830	0.30	1150	0.20
80 FPM	630	0.25	820	0.35	1020	0.40	1400	0.30	410	0.15	540	0.15	670	0.20	920	0.15
60 FPM	470	0.15	620	0.20	760	0.25	1050	0.20	310	0.10	400	0.10	500	0.10	690	0.10

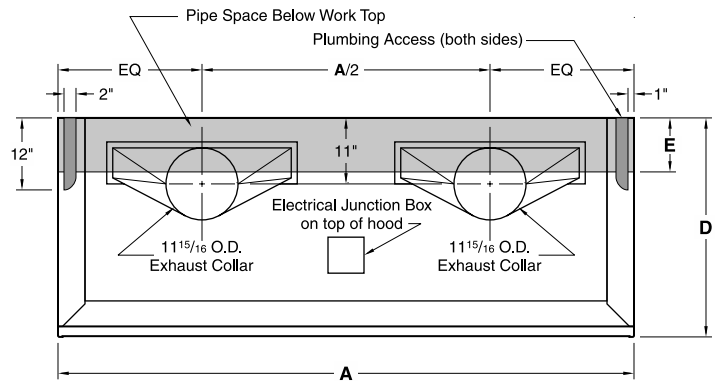
Static pressures shown are for the pressure drop through the hoods only. The total pressure drop through the hood and the duct system must be calculated to select the proper exhaust fan.

ANSI Z9.5 Setback Requirements

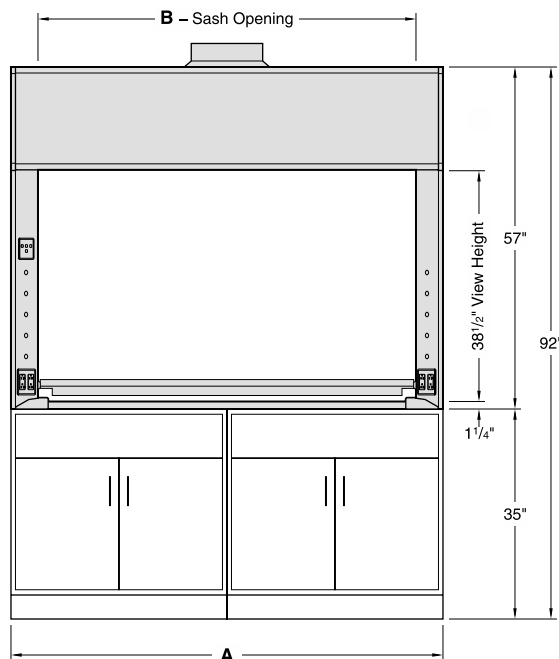
Inside Depth	150 Air Changes/Hour				375 Air Changes/Hour			
	4'-0" / 48"	5'-0" / 60"	6'-0" / 72"	8'-0" / 96"	4'-0" / 48"	5'-0" / 60"	6'-0" / 72"	8'-0" / 96"
24" deep	80 CFM	100 CFM	120 CFM	170 CFM	190 CFM	240 CFM	300 CFM	410 CFM
30" deep	90 CFM	120 CFM	150 CFM	200 CFM	230 CFM	290 CFM	360 CFM	500 CFM
36" deep	110 CFM	140 CFM	170 CFM	240 CFM	270 CFM	350 CFM	430 CFM	590 CFM



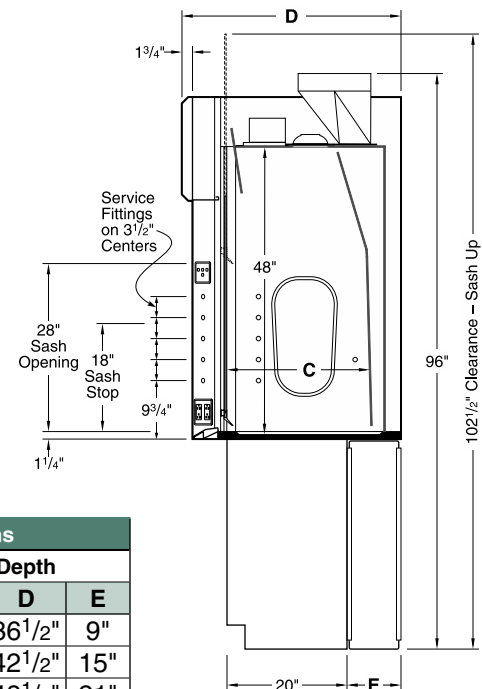
4'-5'-6" Rough-in



8' Rough-in



Elevation



Vertical Section

Dimensions				
Length		Depth		
A	B	C	D	E
48"	39"	24"	36 1/2"	9"
60"	51"	30"	42 1/2"	15"
72"	63"	36"	48 1/2"	21"
96"	87"			

V06 – General Purpose Bench Fume Hood with Combination Vertical Rising/Horizontal Sash



Accessories Included:

- 4 120 VAC 20 amp GFCI protected duplex receptacles
- 1 LED light fixture with illumination and color controller
- 1 Electronic sash stop with push button override

Available Sizes:

part no.
code

Sash Opening Height:	
28 inches / 711mm	28
Inside Depth:	
24 inches / 610mm	24
30 inches / 762mm	30
36 inches / 914mm	36
Overall Length:	
48 inches / 1219mm	48
60 inches / 1524mm	60
72 inches / 1829mm	72
96 inches / 2438mm	96

Available Liner Types:

part no.
code

Kemglass	G
Fiberglass reinforced polyester	
KMER	K
Kewaunee Modified Epoxy Resin	
Type 316L Stainless Steel	L
Type 304L Stainless Steel	S
Phenolic Resin	T

Additional Parts Required for a Complete Fume Hood Assembly

Work Top	see page 28
Cupsink	see page 30
Ceiling Enclosure	see page 31
Service Fittings	see page 32
Base Cabinets	see page 36

Available Sash Frames:

part no.
code

Powder Coated Steel	M
Type 304L Stainless Steel	S

Sash Opening Height	Inside Depth	Overall Length	Liner Type	Sash Frame	Sash Glass	Fitting Holes	Electrical Fixture	Option Choices (separated by commas)
V06F28	<input type="text"/>	<input type="text"/>	<input type="text"/>	<input type="text"/>	- <input type="text"/>	, <input type="text"/>	, <input type="text"/>	- <input type="text"/>
								, <input type="text"/>
								, ...

Technical Information

V06

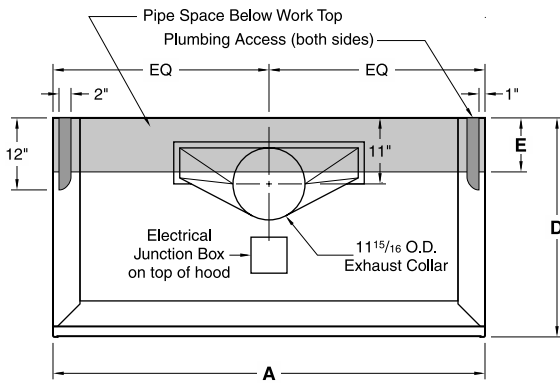
Airflow (CFM) Requirements

Face Velocity	18" High Sash Opening								Sash Closed – Panels Full Open							
	4'-0" / 48"		5'-0" / 60"		6'-0" / 72"		8'-0" / 96"		4'-0" / 48"		5'-0" / 60"		6'-0" / 72"		8'-0" / 96"	
	CFM	SP	CFM	SP	CFM	SP	CFM	SP	CFM	SP	CFM	SP	CFM	SP	CFM	SP
100 FPM	510	0.20	670	0.25	830	0.30	1150	0.20	500	0.10	650	0.15	800	0.20	1100	0.10
80 FPM	410	0.15	540	0.15	670	0.20	920	0.15	400	0.20	520	0.25	640	0.30	880	0.20
60 FPM	310	0.10	400	0.10	500	0.10	690	0.10	300	0.15	390	0.20	480	0.25	660	0.15

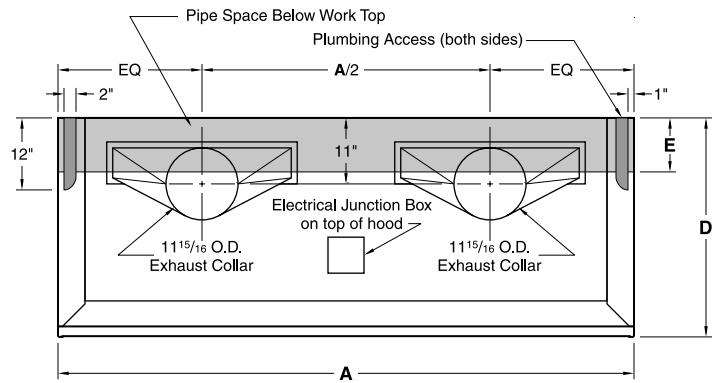
Static pressures shown are for the pressure drop through the hoods only. The total pressure drop through the hood and the duct system must be calculated to select the proper exhaust fan.

ANSI Z9.5 Setback Requirements

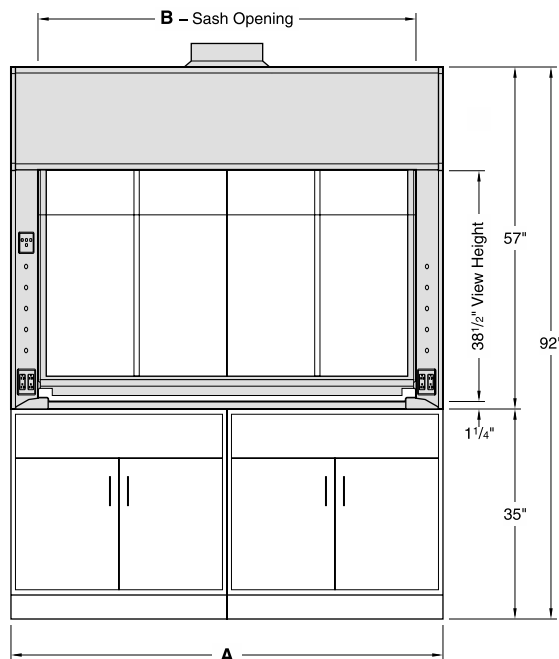
Inside Depth	150 Air Changes/Hour				375 Air Changes/Hour			
	4'-0" / 48"	5'-0" / 60"	6'-0" / 72"	8'-0" / 96"	4'-0" / 48"	5'-0" / 60"	6'-0" / 72"	8'-0" / 96"
24" deep	80 CFM	100 CFM	120 CFM	170 CFM	190 CFM	240 CFM	300 CFM	410 CFM
30" deep	90 CFM	120 CFM	150 CFM	200 CFM	230 CFM	290 CFM	360 CFM	500 CFM
36" deep	110 CFM	140 CFM	170 CFM	240 CFM	270 CFM	350 CFM	430 CFM	590 CFM



4'-5'-6" Rough-in

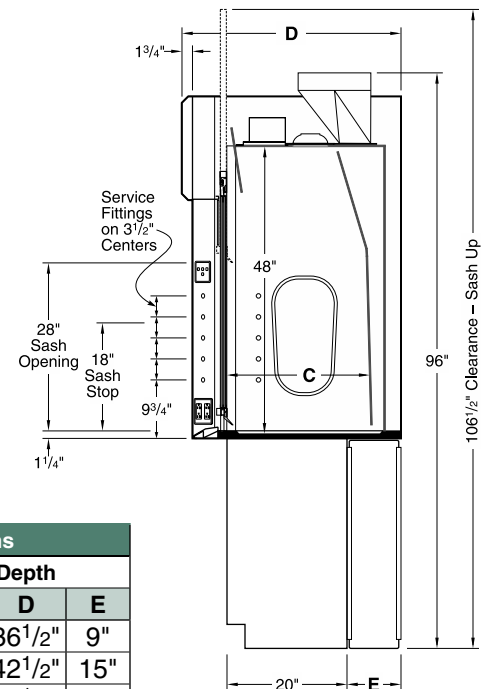


8' Rough-in



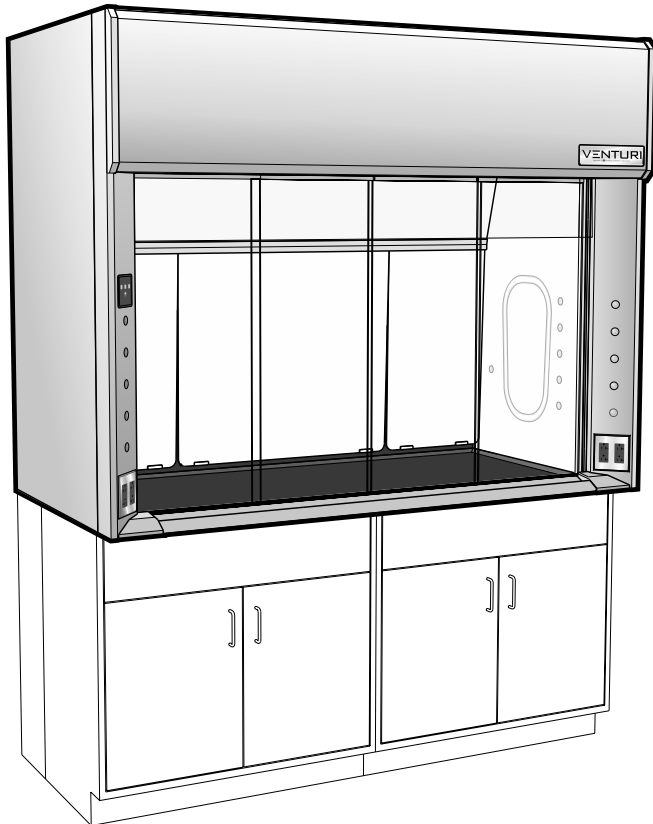
Elevation

Dimensions				
Length		Depth		
A	B	C	D	E
48"	39"	24"	36 1/2"	9"
60"	51"	30"	42 1/2"	15"
72"	63"	36"	48 1/2"	21"
96"	87"			



Vertical Section

V07 – General Purpose Bench Fume Hood with Horizontal Sash



Accessories Included:

- 4 120 VAC 20 amp GFCI protected duplex receptacles
- 1 LED light fixture with illumination and color controller
- 1 Electronic sash stop with push button override

Available Sizes:

part no.
code

Sash Opening Height:	
31 inches / 787mm	31
Inside Depth:	
24 inches / 610mm	24
30 inches / 762mm	30
36 inches / 914mm	36
Overall Length:	
48 inches / 1219mm	48
60 inches / 1524mm	60
72 inches / 1829mm	72
96 inches / 2438mm	96

Available Liner Types:

part no.
code

Kemglass	G
Fiberglass reinforced polyester	
KMER	K
Kewaunee Modified Epoxy Resin	
Type 316L Stainless Steel	L
Type 304L Stainless Steel	S
Phenolic Resin	T

Additional Parts Required for a Complete Fume Hood Assembly

Work Top	see page 28
Cupsink	see page 30
Ceiling Enclosure	see page 31
Service Fittings	see page 32
Base Cabinets	see page 36

Available Sash Frames:

part no.
code

Frameless	N
Powder Coated Steel	M
Type 304L Stainless Steel	S

Sash Opening Height	Inside Depth	Overall Length	Liner Type	Sash Frame	Sash Glass	Fitting Holes	Electrical Fixture	Option Choices (separated by commas)
V07F	31	<input type="text"/>	<input type="text"/>	<input type="text"/>	<input type="text"/>	<input type="text"/>	<input type="text"/>	<input type="text"/> , <input type="text"/> , ...

Technical Information

V07

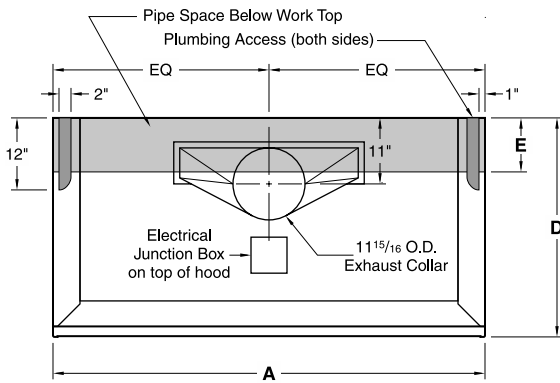
Airflow (CFM) Requirements

Face Velocity	Panels Fully Open							
	4'-0" / 48"		5'-0" / 60"		6'-0" / 72"		8'-0" / 96"	
	CFM	SP	CFM	SP	CFM	SP	CFM	SP
100 FPM	420	0.15	570	0.20	720	0.20	1020	0.20
80 FPM	340	0.10	460	0.15	580	0.15	810	0.15
60 FPM	260	0.05	350	0.10	430	0.10	610	0.10

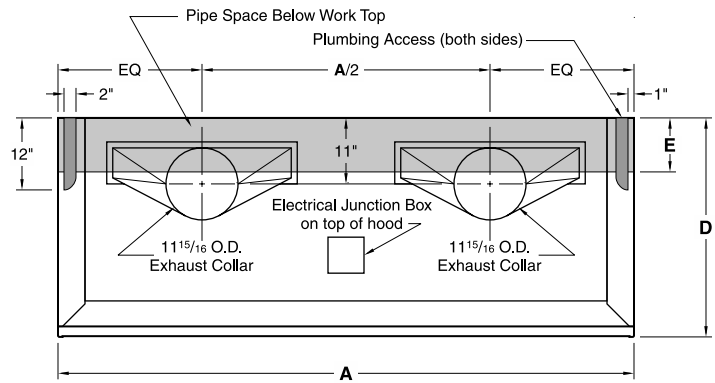
Static pressures shown are for the pressure drop through the hoods only. The total pressure drop through the hood and the duct system must be calculated to select the proper exhaust fan.

ANSI Z9.5 Setback Requirements

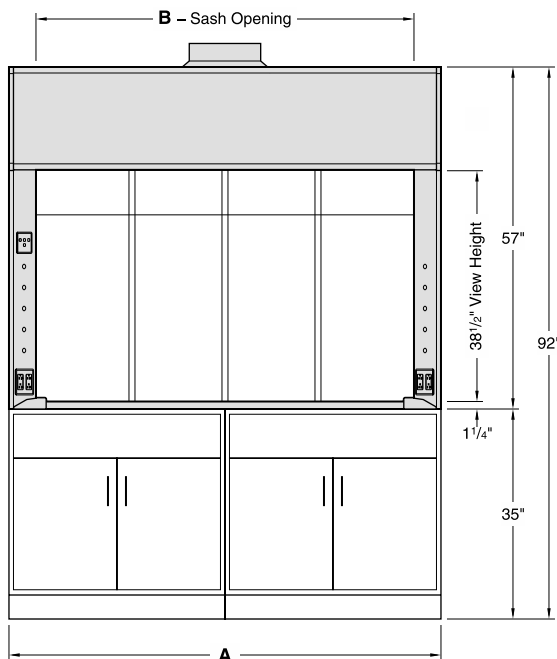
Inside Depth	150 Air Changes/Hour				375 Air Changes/Hour			
	4'-0" / 48"	5'-0" / 60"	6'-0" / 72"	8'-0" / 96"	4'-0" / 48"	5'-0" / 60"	6'-0" / 72"	8'-0" / 96"
24" deep	80 CFM	100 CFM	120 CFM	170 CFM	190 CFM	240 CFM	300 CFM	410 CFM
30" deep	90 CFM	120 CFM	150 CFM	200 CFM	230 CFM	290 CFM	360 CFM	500 CFM
36" deep	110 CFM	140 CFM	170 CFM	240 CFM	270 CFM	350 CFM	430 CFM	590 CFM



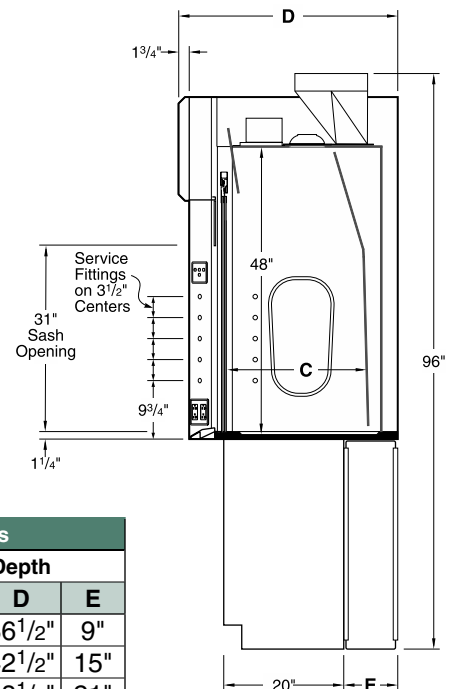
4'-5'-6" Rough-in



8' Rough-in



Elevation



Vertical Section

Dimensions				
Length		Depth		
A	B	C	D	E
48"	39"	24"	36 1/2"	9"
60"	51"	30"	42 1/2"	15"
72"	63"	36"	48 1/2"	21"
96"	87"			